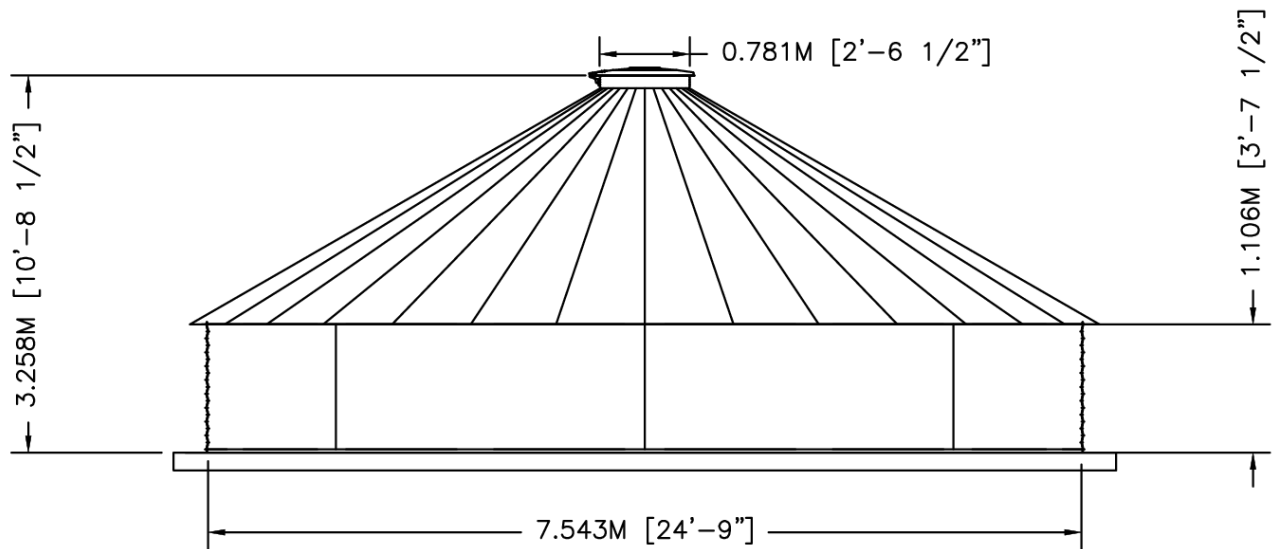


PLAN



ELEVATION



	BY	DATE	TITLE	
DWN	XXX	XX/XX/XX	WTU08-01 30"PR 30DEG V-RIB	
CKD			NOMINAL CAPACITY - 43.703M3 [11,545 GAL]	
ENG			DWG. NO.	REV. NO.
			SCT2401-VR WTU08-01	
			SIZE: A	SCALE: 3/16"=1'-0"
			SHEET 1	OF 1